

E120P/125/500 FAN BLACK

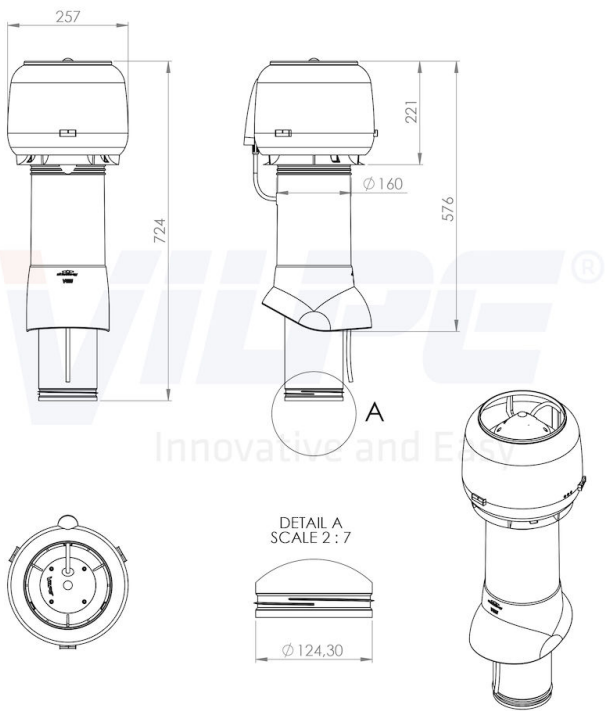


Powered roof fan with Ø 125 mm inner pipe. Made of polypropylene. Outer diameter 160 mm, height 500 mm. Inner pipe made of galvanized sheet steel. Screws for fixing the roof fan to a pass-through are included. Pass-throughs for different roofing materials sold separately.

The P-type roof fans can be connected to a ventilation duct with a diameter of 125, 160 and 200 mm. With a pass-through set, it can be installed in almost all roofs with the most common pitches (less than 50 degrees). The P-type roof fan is insulated and 400, 500 or 700 mm high. Its inner pipe is made of galvanized sheet steel. The inner pipe has been dimensioned in such a way that a spiral duct can be installed onto it at a length of approx. 300 mm. This makes vertical installation easy in close attic spaces while providing as solid a structure as possible. The inner pipe also has a lip seal to make the junction of the pipe and the spiral duct airtight. The roof fan has a cowl that prevents rainwater from entering the ventilation duct and is supplied with fixing screws. The manifold structure of the E190P-, ECo 190P- and ECo 220P-roof fans also include a 200 or 400 mm high silencer, depending on the height of the fan. The inner pipe is made of perforated galvanized steel insulated with 50 mm of mineral wool. The P-type E-roof fans are available in four different power classes. The P-type ECo-roof fans are available in three. For installing a P-type roof fan, a roof pass-through set is needed, chosen according to the roofing. Alongside we list the power classes and which pass-through set size fits the roof fans. If the duct is 160 mm, we recommend the XL-E220P-roof fan, so that the pipe can be well insulated throughout. Pass-through sets (0-160 mm): E120P Roof fan: Duct size 125 mm, outer diameter of pipe 160 mm E190P Roof fan: Duct size 125 mm, outer diameter of pipe 225 mm ECo190P Roof fan: Duct size 125 mm, outer diameter of pipe 225 mm E220P Roof fan: Duct size 160 mm, outer diameter of pipe 225 mm ECo220P Roof fan: Duct size 160 mm, outer diameter of pipe 225 mm XL-Pass-through sets (160-250 mm): XL-E220P Roof fan: Duct size 160 mm, outer diameter of pipe 300 mm XL-E250P Roof fan: Duct size 200 mm, outer diameter of pipe 300 mm XL-ECo250P Roof fan: Duct size 200 mm, outer diameter of pipe 300 mm

Color	Black
SKU	73492
Color Code RR	RR33
Color Code RAL	RAL9005
Delivery	Stock
Attachments	Installation guide-Roof fan installation.pdf

E120P ø125/IS/500 roof fan



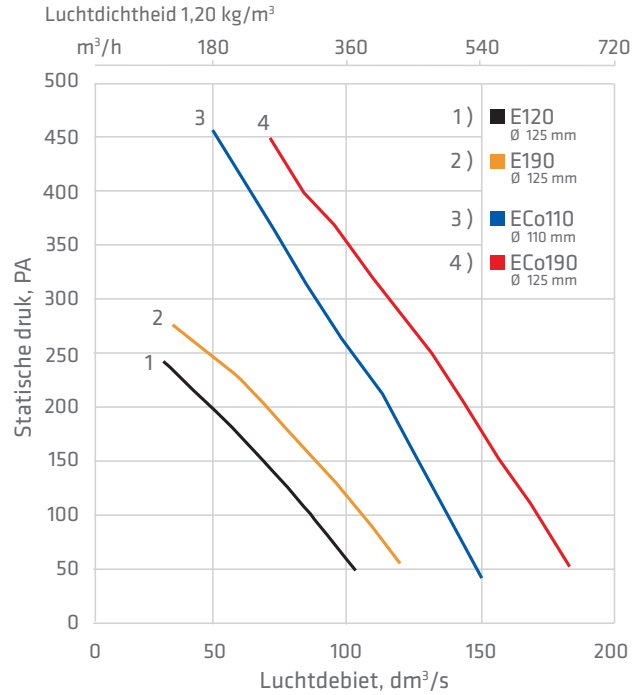
Copyright © 2014 SK Tuote Oy. All rights reserved.



P-serie



Dak-pijventilator	E120	E190	ECo 110	ECo 190
Motor	AC	AC	EC	EC
Vermogen	52 W	52 W	83 W	83 W
Stroom	0,23 A	0,23 A	0,75 A	0,75 A
Aansluitspanning	230 V / 50 Hz	230 V / 50 Hz	230 V / 50 Hz	230 V / 50 Hz
Toerental	2350 rpm	2350 rpm	3200 rpm	3200 rpm
Condensator	1,5 µF	1,5 µF	-	-
Kanaalaansluiting	125 mm	125 mm	110 mm	125 mm
Hoogte	500 mm	500 mm	500 mm	500 mm



Schuine Daken

Voor een waterdichte aansluiting op een schuin/hellend dak (maximaal 50 graden) kan men gebruik maken van de universele dakpan of een plakplaat voor shingle en leisteen daken.



Universele dakpan



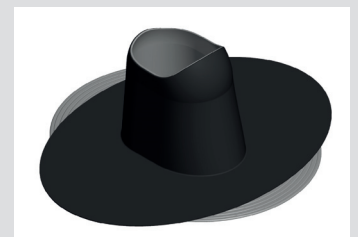
Shingle/Leesteen dakpan

Platte Daken

Voor een waterdichte aansluiting op platte of licht hellende daken (maximaal 11.5 graden) kan men gebruik maken van de plakplaat VFPT eventueel in combinatie met EPDM kraag bij EPDM daken.



Plakplaat hoge kraag VFPT.
Flens breedte 150mm. Kraag hoogte 200mm.



Kraag EPDM,
voor toepassing EPDM daken

