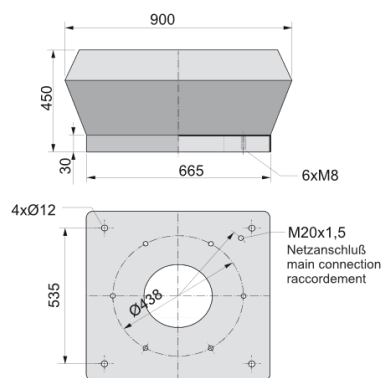
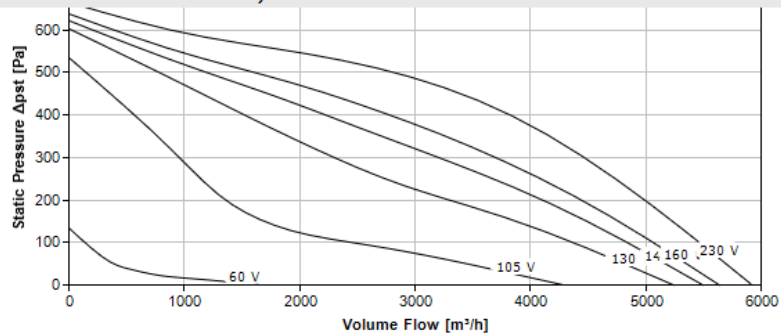


Technical details			
Art.No. / Type	108110 / RV 450-4E ErP2018		
Fan speed	1400 min ⁻¹	Nominal power	0,89 kW
Voltage	1/PE AC 230 V	Frequency	50 Hz
Rated current I _N	4,3 A	Start. current I _S /I _N	3,9
Weight	55 kg	C	20 µF
tR	45 °C	IP	IP 54

ErP 1253 data			
Wolter GmbH		RV 450-4E ErP2018	
Type	NRVU, UVU		
Drive	by transformer (not integrated)		
Heat recovery system	none	Flow rate q _{nom}	0,9511 m ³ /s
Input P _e	0,86 kW	SFP _{int}	n/a Ws/m ³
Face velocity	6,2 m/s	Nom. ext. pressure Δp _{s,ext}	448 Pa
Overall efficiency η _e	49,5 %	Sound power level L _{WA}	75 dB
ErP 1253	2018	http://www.wolter.eu	
--	--	--	

Octave frequency sound								
f _M [Hz]	LWA	125	250	500	1k	2k	4k	8k
LWA5 [dB(A)]	-4	-15	-12	-10	-9	-12	-19	-27
LWA8 [dB(A)]	0	-15	-7	-5	-7	-7	-14	-18

Accessories	
Item No.	Description
124150	MSE 1, Motor protection switch
120540	RTE 5, Speed controller, 5-step
122150	TE 5, 5, Speed controller, 5-step, transformer only
123150	RPE 09 A, Speed controller, stepless
123350	RPE 09 U, Speed controller, stepless
126020	SSE 5, Electronic speed controller, stepless
107060	EV 355/500, Flexible connection
107260	GL 355/500, Inlet flange
106560	VS 355/500, Gravity backdraft damper
106860	VM 355/500, Motorized backdraft damper
106080	FS 450/500, Flat roof socket
106280	SD 450/500, Socket sound attenuator
124450	GS 1, Repair switch 2-pol, 0-7,5kW 1~230 V or 3~400 V
990105	Repair switch mounting

RV 450-4E, ErP2018 Dachventilator 1~230V


Technical details			
Art.No. / Type	108111 / RV 450-4D ErP2018		
Fan speed	1340 min ⁻¹	Nominal power	0,78 kW
Voltage	3/PE AC 400 V	Frequency	50 Hz
Rated current I _N	1,56 A	Start. current I _S /I _N	3,3
Weight	40 kg	tR	55 °C
IP	IP 54		

ErP 1253 data			
Wolter GmbH		RV 450-4D ErP2018	
Type	NRVU, UVU		
Drive	by transformer (not integrated)		
Heat recovery system	none	Flow rate q _{nom}	0,9403 m ³ /s
Input P _e	0,75 kW	SFP _{int}	n/a Ws/m ³
Face velocity	6,1 m/s	Nom. ext. pressure Δp _{s,ext}	393 Pa
Overall efficiency η _e	49,4 %	Sound power level L _{WA}	74 dB
ErP 1253	2018	http://www.wolter.eu	
--	--		

Octave frequency sound								
f _M [Hz]	LWA	125	250	500	1k	2k	4k	8k
LWA5 [dB(A)]	-4	-15	-12	-10	-9	-12	-19	-27
LWA8 [dB(A)]	0	-15	-7	-5	-7	-7	-14	-18

Accessories	
Item No.	Description
124170	MSD 1, Motor protection switch
121150	RTD 2,5, Speed controller, 5-step
122600	TD 3, Speed controller, 5-step, transformer only
126640	SAD 9, Electronic speed controller, stepless
126420	SSD 6, Electronic speed controller, stepless
107060	EV 355/500, Flexible connection
107260	GL 355/500, Inlet flange
106560	VS 355/500, Gravity backdraft damper
106860	VM 355/500, Motorized backdraft damper
106080	FS 450/500, Flat roof socket
106280	SD 450/500, Socket sound attenuator
124500	GS 2, Repair switch 6-pol, 0-7,5kW 1~230 V or 3~400 V
990105	Repair switch mounting

RV 450-4D, ErP2018 Dachventilator 3~400V
