

LPKB Silent 200 A1 EC



- Low profile duct fan with circular connections.
- A small and useful duct fan which are perfect for spaces with minimum height clearance.
- Equipped with a built in silencer on the inlet side for an even lower sound level.
- High capacity and efficiency.
- Impeller with backward curved blades.
- The external rotor motor has maintenance-free sealed ball-bearings and is very energy efficient.
- Speed controlling can be done with the built-in potentiometer, 0-10 V alt. external control.
- Integrated motor protection.
- Junction box has enclosure class IP 54.
- Fan housing is manufactured from galvanized sheet steel.
- Duct connections are equipped with rubber seals.
- The fan is intended to be installed in a duct system.
- A duct connected fan can be installed outside or in damp environments.
- The mounting brackets simplify installation in any position.

Accessories

- Speed controller MS EC
- Controller IQ-Reg EC
- Pressure regulator CALAIR-PR-230V
- Pressure regulator FKP-R
- MK 200
- BSV 200
- RSK 200
- YG 200
- FLK 200
- FLF 200
- VK 200
- LDC 200

7540748 LPKB Silent 200 A1 EC-y1

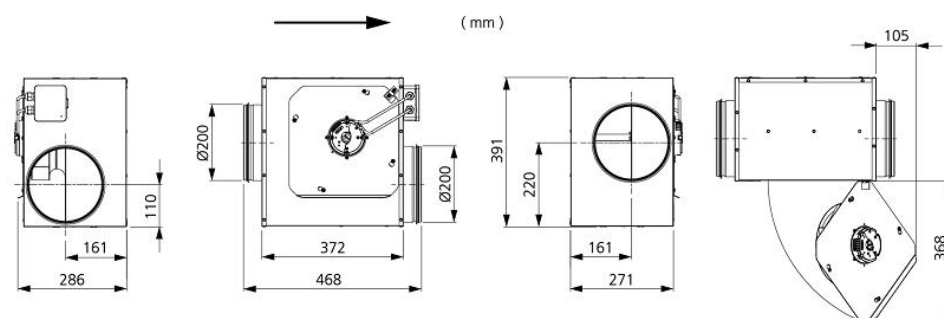
TECHNICAL DATA

Voltage	230 V
Phase	1 ~
Frequency	50/60 Hz
Power	123 W
Current	1.02 A
Speed	2780 r.p.m.
Max. temperature of transported air	60 °C
Sound pressure level at 3 m	50 dB(A)
Weight	8.1 kg
Enclosure class	44 IP
Insulation class, motor	F
Duct connection	200 mm
Max. flow @ 0Pa	910.80255024714 m³/h
Max. pressure	504 Pa
Voltage range	200-277 V

SOUND DATA

	Flow (m³/h)	L _{WA} tot dB (A)	63Hz	125Hz	250Hz	500Hz	1KHz	2KHz	4KHz	8KHz
5. Surrounding Lw dB(A) 10V	536	57	26	39	47	56	45	43	39	33
5. Outlet Lw dB(A) 10V	536	81	61	67	67	80	67	72	64	57
5. Inlet Lw dB(A) 10V	536	68	57	64	62	62	54	54	53	47
4. Inlet Lw dB(A) 8V	500	66	55	61	60	58	51	51	50	43
3. Inlet Lw dB(A) 6V	385	60	49	56	55	53	43	44	42	34
2. Inlet Lw dB(A) 4V	252	54	41	51	51	40	32	33	30	21
1. Inlet Lw dB(A) 2V	166	41	29	40	32	24	15	15	8	4

DIMENSIONS



Voltage steps

1	2	3	4	5
2V	4V	6V	8V	10V