



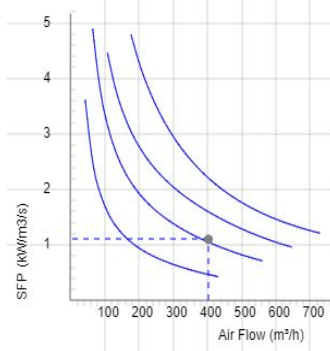
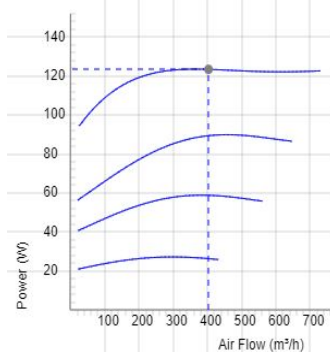
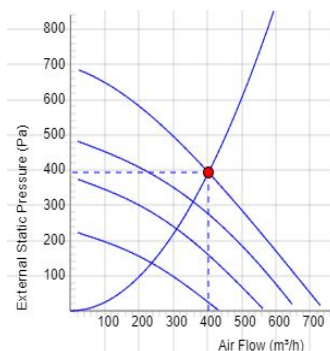
LPKB 160 C1 EC



- Low profile duct fan with circular connections.
- A small and useful duct fan which are perfect for spaces with minimum height clearance.
- With one connection on the inlet side.
- High capacity and efficiency with low sound levels.
- Impeller with backward curved blades.
- The external rotor motor has maintenance-free sealed ball-bearings and is very energy efficient.
- Speed controlling can be done with the built-in potentiometer, 0-10 V alt. external control.
- Integrated motor protection.
- Junction box has enclosure class IP 54.
- Fan housing is manufactured from galvanized sheet steel.
- Duct connections are equipped with rubber seals.
- The fan is intended to be installed in a duct system.
- A duct connected fan can be installed outside or in damp environments.
- The mounting brackets simplify installation in any position.

Accessories

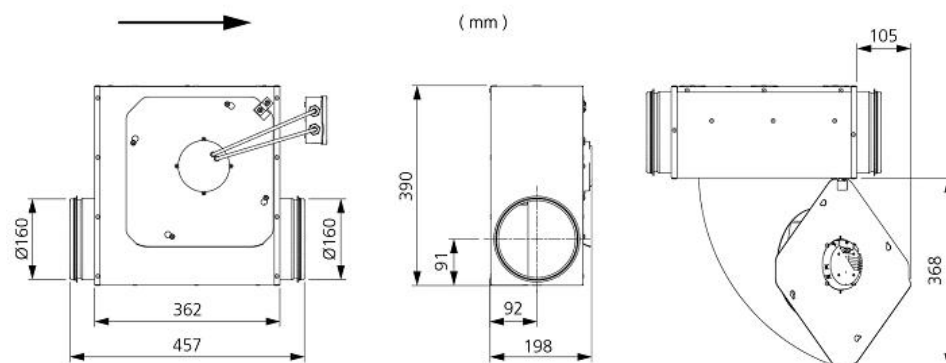
- Speed controller MS EC
- Controller IQ-Reg EC
- Pressure regulator CALAIR-PR-230V
- Pressure regulator FKP-R
- MK 160
- BSV 160
- RSK 160
- VK 160
- LDC 160


TECHNICAL DATA

7540728 LPKB 160 C1 EC-y1	
Voltage	230 V
Phase	1 ~
Frequency	50/60 Hz
Power	123 W
Current	0.98 A
Speed	3110 r.p.m.
Max. temperature of transported air	60 °C
Sound pressure level at 3 m	55 dB(A)
Weight	6.4 kg
Enclosure class	44 IP
Insulation class, motor	F
Duct connection	160 mm
Max. flow @ 0Pa	741.60207648581 m³/h
Max. pressure	686 Pa
Voltage range	200-277 V

SOUND DATA

	Flow (m³/h)	L_{wa} tot dB (A)	63Hz	125Hz	250Hz	500Hz	1KHz	2KHz	4KHz	8KHz
4. Surrounding L_w dB(A) 10V	443	62	35	44	58	58	52	49	44	32
4. Outlet L_w dB(A) 10V	443	79	61	66	71	75	70	69	67	56
4. Inlet L_w dB(A) 10V	443	76	59	65	70	72	67	62	61	52
3. Inlet L_w dB(A) 7.5V	385	73	54	63	67	69	64	58	57	47
2. Inlet L_w dB(A) 6.5V	331	70	51	60	64	66	61	54	52	43
1. Inlet L_w dB(A) 5V	245	63	47	55	58	59	53	45	42	32

DIMENSIONS

Voltage steps

1	2	3	4
5V	6.5V	7.5V	10V